



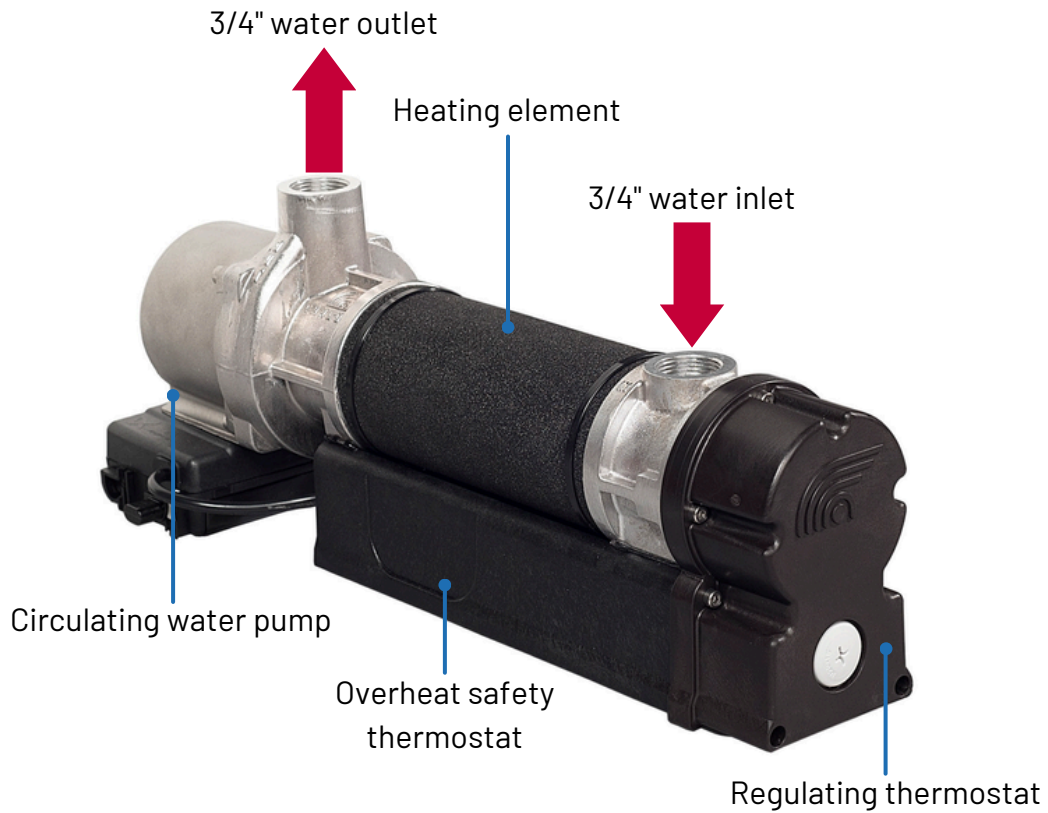
TopStart 1-3 kW

The TopStart is an electric coolant heater for all types of water-cooled engines. It is universal, reliable, easy to install, and maintenance free.

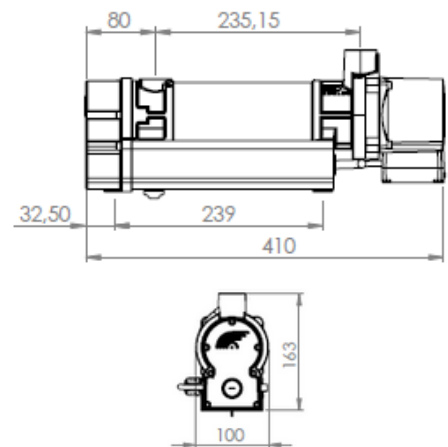
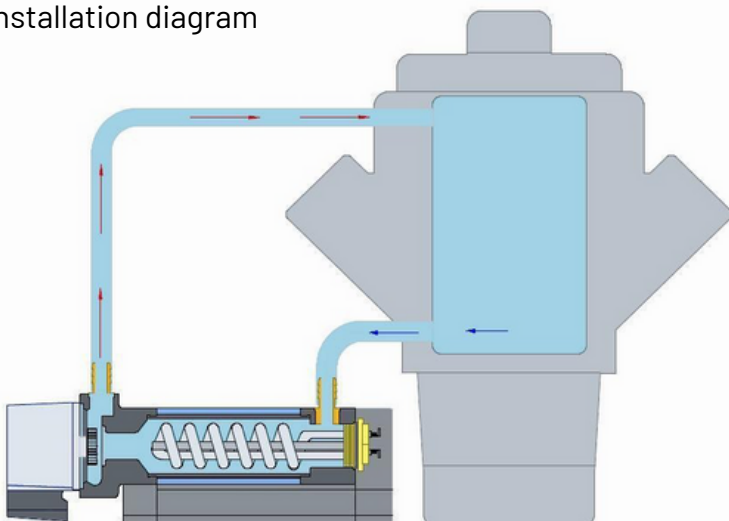
The heater can be put into service a few hours before starting the engine, in order to keep the engine permanently at the required temperature. This ensures an easy full power start whatever the ambient temperature, and avoids cold start mechanical damage.

The TopStart 1 to 3 kW is suited for all industrial applications, either stationary (generator sets) or mobile (heavy-duty vehicles, vans, trucks).

Heating unit	Circulation pump
<ul style="list-style-type: none"> • Die casted aluminum body • PA66 protection covers and support base • 150 cm power cable • 3/4" water outlet and inlet + connection kit 	<ul style="list-style-type: none"> • Glandless circulation pump • Flowrate: 1.6 to 2m³/h to 3m height manometer • Adjustable speed • Available voltage: 230V • Available frequency: 50 Hz, 60 Hz
Water temperature control thermostat	Heating element
<ul style="list-style-type: none"> • Adjustable thermostat 0°C-80°C rated 25A, 100.000 cycles • Available temperature interval: 0°C-80°C (32°F - 176°F) 	<ul style="list-style-type: none"> • Low watt density heating element made of Incoloy 800 (7,5W / cm²) which increases its lifetime and those of the coolant • Available powers: 1Kw - 3Kw • Available voltages: 120V, 208V, 230V
Safety thermostat	
<ul style="list-style-type: none"> • Security thermostat with manual reset, rated 25A, 6.000 cycles (110 °C / 230°F) 	



Installation diagram



TopStart weight: 4,6 kg

The TopStart heater is delivered with:

Connection kit



Fixation kit



Your PowerHeat partner:

GenHeat
 Unit 21 Park Farm Business Park
 Skeffington
 Leicestershire, LE7 9FN

+44 (0)1664 668 599
 sales@genheat.co.uk
 www.genheat.co.uk

