

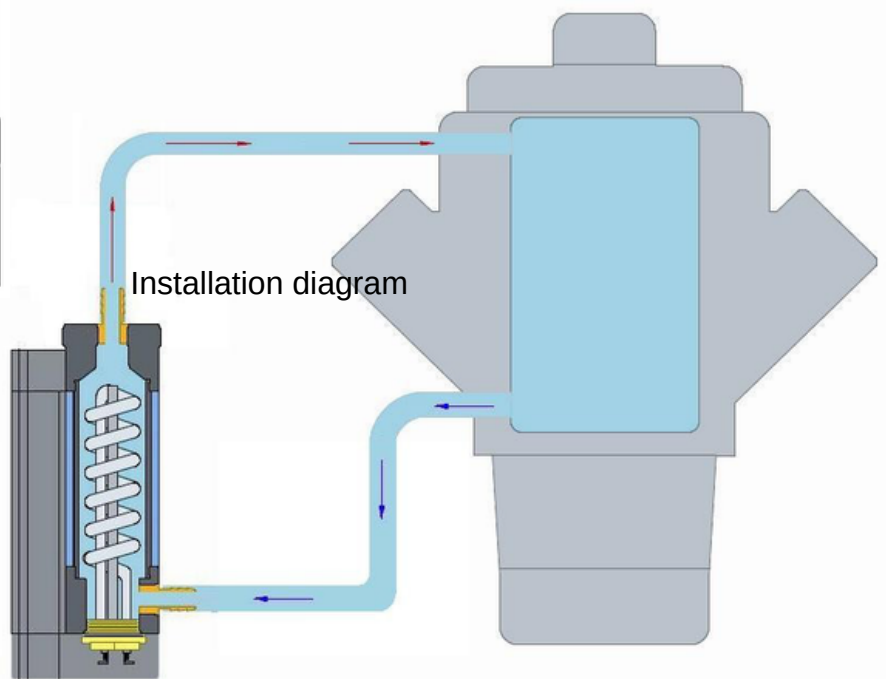
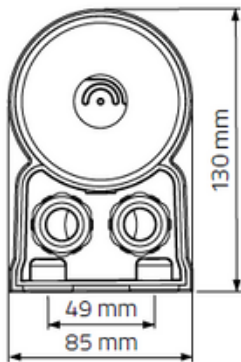
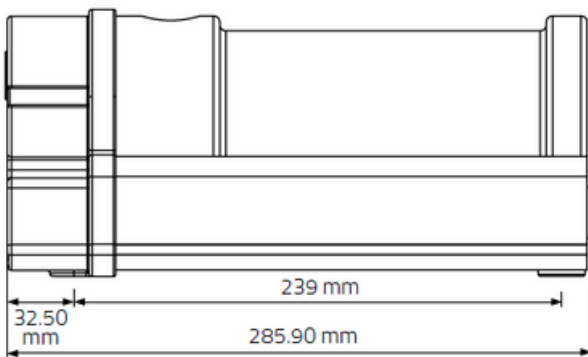
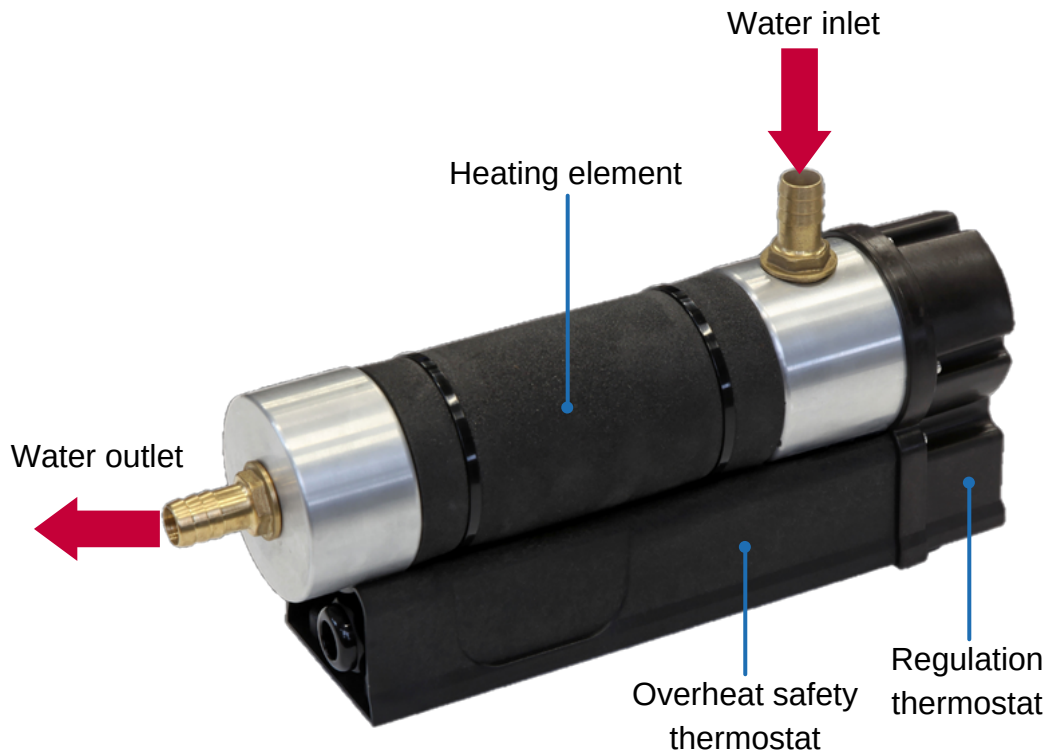


ThermoStart

ThermoStart is an electric coolant preheater without a pump, suited for all types of water-cooled engines. The coolant is heated and then run through the engine by a thermosiphon process to preheat the engine. This ensures an easy full power start, regardless of the ambient temperature, and avoids cold start mechanical damage. ThermoStart preheaters are suited for all industrial and marine applications, both stationary and mobile.

These heaters are very compact, maintenance free and easy-to-install. The system has the following advantages: fuel savings, decreasing pollution, reduced engine wear, no more difficult cold starts, vehicle cab heater instantly operational.

Heating unit	Heating element
<ul style="list-style-type: none"> • Machined aluminum AlMgSiBi heating unit • PA66 protection covers and support base • 150 cm power cable • 3/4" water outlet and inlet fitted with 18 mm nozzles (ID 16mm) 	<ul style="list-style-type: none"> • Low watt density heating element made of Incoloy 800 ($7.5W / cm^2 \rightarrow 3kW$) which increases its lifetime and those of the coolant • Available powers: 0.5kW – 4kW • Available voltages: 120V, 230V
Water temperature control thermostat	Safety thermostat
<ul style="list-style-type: none"> • Adjustable thermostat 0-80°C rated 25A, 100,000 cycles • Available temperature interval: 0°C – 80°C (32°F – 176°F) 	<ul style="list-style-type: none"> • Security thermostat with manual reset, rated 25A, 6,000 cycles (110°C / 230°F)



Your PowerHeat Partner:



Unit 21 Park Farm Business Park
Skeffington
Leicestershire
LE7 9FN

+441664 668599
sales@genheat.co.uk
www.genheat.co.uk

PowerHeat B.V.
Robijn 930, 3316 KE
Dordrecht, the Netherlands



+31 (0)85 0709430
post@powerheat.nl
www.powerheat.nl